

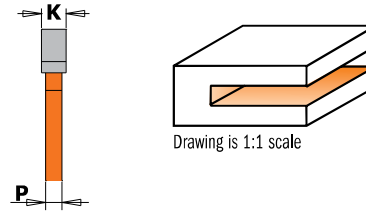


7/8/922A/B

Uses for the CMT 3-Wing Slot Cutter are almost infinite. Cut slots and grooves for splines, biscuits, T-molding or tongue and groove joints.

Every cutter features 3 tungsten carbide tipped cutting edges, CMT's trademark orange non-stick P.T.F.E. coating and boasts an anti-kickback design. CMT slot cutters are available as a blade only or with your choice of a 6, 8, 12, 6,35 or 12,7mm diameter arbor which includes a 22mm diameter bearing for a cutting depth of up to 12,7mm. Other bearings are available in the spare parts section of this catalogue.

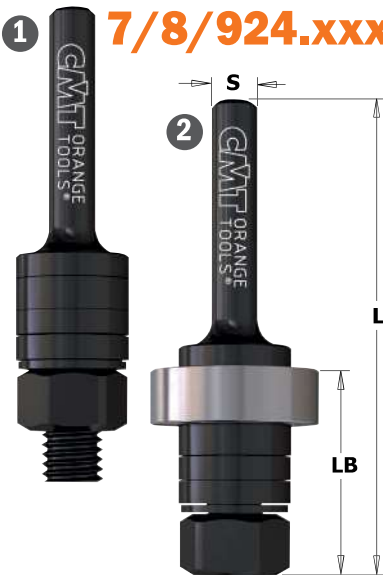
NOTE: For 9,5mm or 6,35mm depths, you can order the bearing kit **791.711.00** (with 28,5mm - 34,9mm diameters).



K mm	P mm	D mm	H mm		ORDER NO. S=Ø6mm	ORDER NO. S=Ø6,35mm	ORDER NO. S=Ø8mm	ORDER NO. S=Ø12mm	ORDER NO. S=Ø12,7mm
1,5	1,1	47,6	12,8	10	722.315.11A		922.315.11A	922.315.11B	
1,6	1,1	47,6	12,8	10		822.316.11A			822.316.11B
2	1,3	47,6	12,8	10	722.320.11A	822.320.11A	922.320.11A	922.320.11B	822.320.11B
2,4	1,3	47,6	12,8	10		822.324.11A			822.324.11B
2,5	1,3	47,6	12,8	10	722.325.11A		922.325.11A	922.325.11B	
3	1,3	47,6	12,8	10	722.330.11A		922.330.11A	922.330.11B	
3,2	1,3	47,6	12,8	10		822.332.11A			822.332.11B
3,5	2,1	47,6	12,8	10	722.335.11A		922.335.11A	922.335.11B	
4	2,1	47,6	12,8	10	722.340.11A	822.340.11A	922.340.11A	922.340.11B	822.340.11B
4,8	2,9	47,6	12,8	10		822.348.11A			822.348.11B
5	2,9	47,6	12,8	10	722.350.11A		922.350.11A	922.350.11B	
6	4,5	47,6	12,8	10	722.360.11A	822.360.11A	922.360.11A	922.360.11B	822.360.11B
6,4	4,5	47,6	12,8	10		822.364.11A			822.364.11B

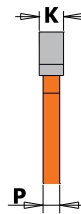
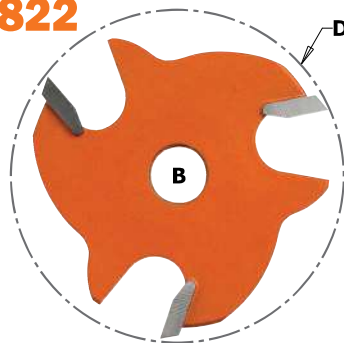
These 3-wing tungsten carbide tipped cutters feature anti-kickback design and CMT's trademark orange P.T.F.E. Industrial Coating. All cutters feature an 8mm bore. Use these cutters with cutter arbors **724** (Ø6mm diameter), **824** (Ø6,35mm & Ø12,7mm diameters), and **924** (Ø8mm & Ø12mm diameters).

1 7/8/924.xxx.00



2 7/8/924.xxx.10

822



K mm	P mm	D mm	B mm		ORDER NO.
1,5	1,1	47,6	8	10	822.315.11
1,6	1,1	47,6	8	10	822.316.11
1,8	1,3	47,6	8	10	822.318.11
2	1,3	47,6	8	10	822.320.11
2,2	1,3	47,6	8	10	822.322.11
2,4	1,3	47,6	8	10	822.324.11
2,5	1,3	47,6	8	10	822.325.11
2,8	1,3	47,6	8	10	822.328.11
3	1,3	47,6	8	10	822.330.11
3,2	1,3	47,6	8	10	822.332.11
3,5	2,1	47,6	8	10	822.335.11
4	2,1	47,6	8	10	822.340.11
4,8	2,9	47,6	8	10	822.348.11
5	2,9	47,6	8	10	822.350.11
6	4,5	47,6	8	10	822.360.11
6,4	4,5	47,6	8	10	822.364.11

DESCRIPTION	LB mm	L mm		ORDER NO. S=Ø6mm	ORDER NO. S=Ø6,35mm	ORDER NO. S=Ø8mm	ORDER NO. S=Ø12mm	ORDER NO. S=Ø12,7mm
1 Slot cutter arbor without bearing	26	61	10	724.060.00	824.064.00	924.080.00		
1 Slot cutter arbor without bearing	26	67,5	10				924.120.00	824.127.00
2 Slot cutter arbor with bearing	26	61	10	724.060.10	824.064.10	924.080.10		
2 Slot cutter arbor with bearing	26	67,5	10				924.120.10	824.127.10
Slot cutter arbor without bearing, long series	40	86	10			924.083.00		
Slot cutter arbor with bearing, long series	40	86	10			924.083.10		

Spare parts: **791.005.00** Ø8-22mm bearing
541.501.00 4mm spacer
541.500.00 3mm spacer

541.518.00 1mm spacer
990.020.00 M8 nut